

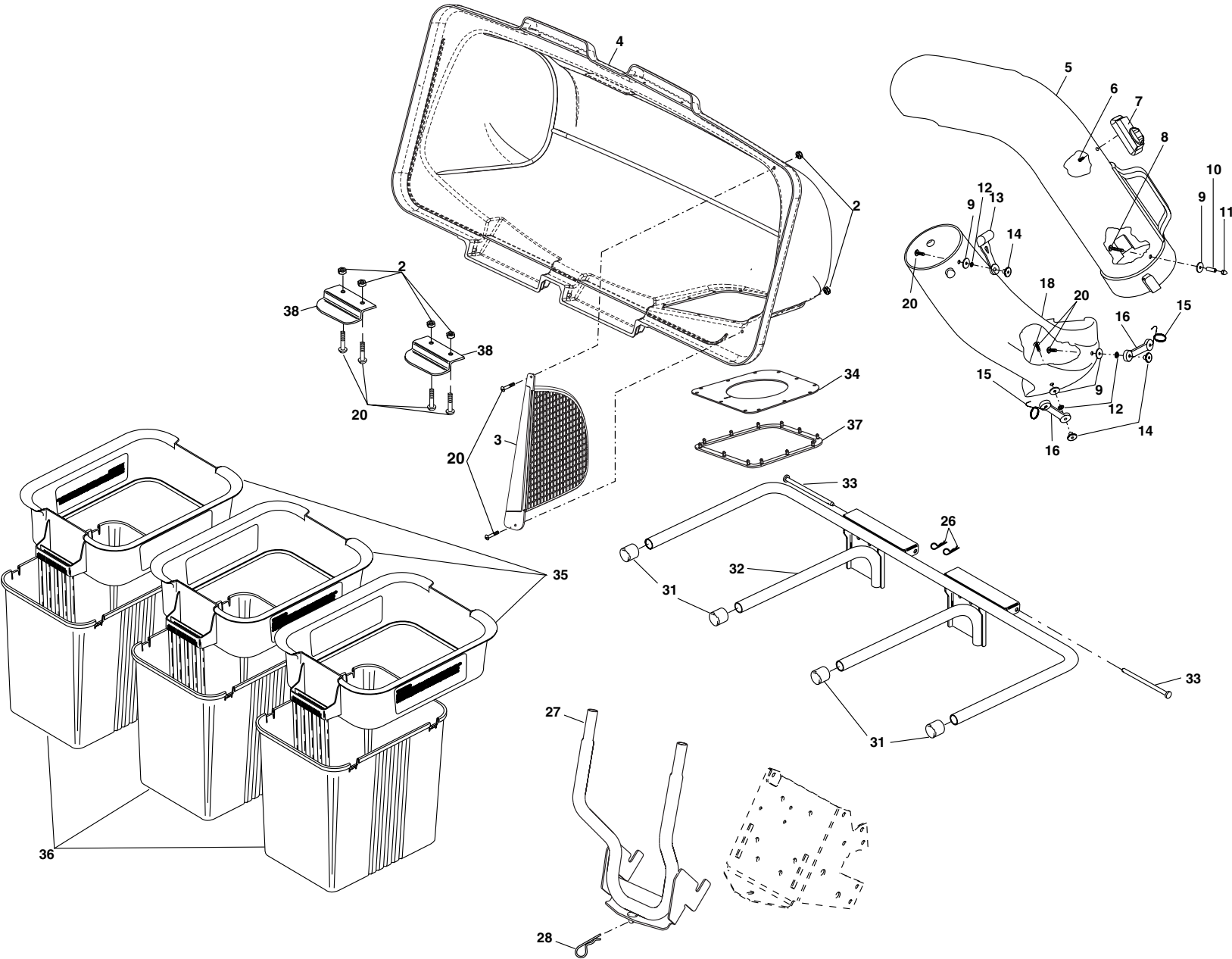
Illustrated Parts List
Model GTT348
Mfg. ID No. 96072000900
Product No. 960 72 00-09
48 Inch Mower
Grass Catcher

- **Repair Parts**
-

REPAIR PARTS/PIÈCES DE RECHANGE

GRASS CATCHER - MODEL GTT348 (MFG. ID 96072000900) / RAMASSE-HERBE - MODÈLE GTT348 (MFG ID 96072000900)

PRODUCT NUMBER 960 72 00-09 / NO. DE PRODUIT 960 72 00-09



REPAIR PARTS

GRASS CATCHER - MODEL GTT348 (MFG. ID 96072000900) / RAMASSE-HERBE - MODÈLE GTT348 (MFG ID 96072000900)

PRODUCT NUMBER 960 72 00-09 / NO. DE PRODUIT 960 72 00-09

KEY NO.	PART NO.	DESCRIPTION	KEY NO.	PART NO.	DESCRIPTION	
2	532069180	Nut, Crownlock #10-24	18	532174345	Chute, Lower	Glissière inférieure
3	532192709	Screen, Cover	20	871161010	Screw #10-24 x 5/8	Vis #10-24 x 5/8
4	532195373	Cover Assembly (Includes Key No. 34, 37)	26	532124670	Spring, Retainer	Ressort de retenue
5	532176741	Chute, Upper	27	532176987	Support Assembly "A"	Ensemble du support "A"
6	818021008	Screw, Special #10-14x1/2		532198128	Support Assembly "B"	Ensemble du support "B"
7	532130933	Full bag Indicator	28	532165898	Spring, Retainer	Ressort de retenue
8	532087175	Screw, #10-24 x 1-1/8	31	532174083	Plug, Tubing End	Capuchon d'extrémité de tuyau
9	819061216	Washer 3/16x3/4x16 Ga.	32	532176990	Bagger, Frame	Cadre de ramasse-herbe
10	532007206	Spacer, Split	33	532192786	Pin, Hinge	Goupille de charnière
11	532060867	Nut, Acorn #10-24	34	532192550	Gasket, Cover	Garniture de couvercle
12	810071000	Washer, lock	35	532183286	Container, Top	Bac à gazon supérieur
13	532109808	Latch, Chute	36	532129586	Container, Bottom	Bac à gazon inférieur
14	532125004	Nut, Weld	37	532192603	Ring, Cover Gasket	Anneau de garniture decouvercle
15	532130760	Latch, Hook	38	532130895	Latch Handle, Cover	Poignée de loquet de couve
16	532130759	Rubber, Latch	—	532402341	Owner's Manual	Manuel de propriétaire